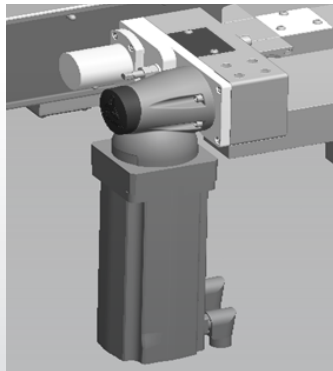




Label detection



Feed screw with servo motor

Performance  
through  
Understanding



## LINE IMPROVEMENT

# LATEST OPTIONS & UPGRADES AVAILABLE FOR LABELLERS

To keep your equipment up to date over time, our Options and Upgrades (O&U) bring the benefits of the latest packaging technology to your existing lines.

This can result in increased uptime, lower costs and greater overall production versatility.

**Options:** New functionalities to optimise flexibility and costs.

**Upgrades:** New technologies to improve performance, safety, functionality, hygiene and energy savings.

### A match for every need

In total, we offer over 500 options and upgrades for every step of the production process, from blow moulding to product preparation, rinsing, filling, pasteurisation and washing. On top of this, around 40 new solutions are launched every year to better meet our customers' needs.

## LABEL DETECTION

### REDUCES RISK OF LABEL JAMS

Efficiency – Sidel Rollquattro

O&U reference: AA05

### BENEFITS

- Reduced restart time leads to less downtime and improved productivity
- Ability to detect an anomaly and halt the labelling process (avoiding a label jam)

## FEED SCREW WITH SERVO MOTOR

### IMPROVES RELIABILITY

Flexibility, Efficiency – Sidel Rollfed F25, F35, F45

O&U reference: AX01

### BENEFITS

- Gives maximum stability and control of the bottle during separation
- Improves reliability and reduces maintenance costs



Improved platform

## IMPROVED PLATFORM FOR QUICKER CHANGEOVER

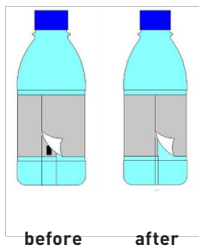
### SIGNIFICANTLY REDUCES CHANGEOVER TIME

Flexibility, Efficiency – Sidel Rollquattro

O&U reference: AA07

### BENEFITS

- Saves 20 minutes in changeover time at a standard labeller with 24 platforms (Changeover takes only 25 seconds instead of 75 seconds per platform)



SMAR Rolled labels

## SMAR ROLLED LABELS WITHOUT SPOTS

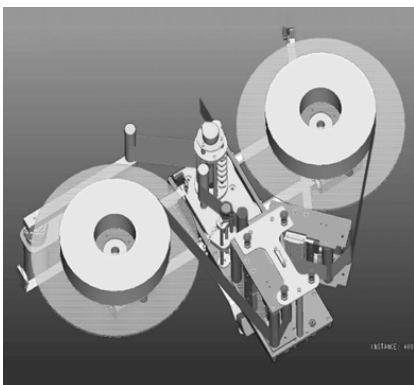
### REDUCES MATERIAL COSTS THROUGH REDUCTION IN LABEL LENGTH

Cost optimisation, Flexibility – Sidel Rollquattro, Sidel Rolled

O&U reference: AA03

### BENEFITS

- Better visual appearance, particularly on transparent labels, due to the absence of any spot on the label
- Label length reduced by 3% to 5%:  
With no spot, there is less overlap needed
- Only takes 2 hours to install on Sidel Rolled labellers



Automatic splicer

## AUTOMATIC SPLICER

### INCREASES DAILY PRODUCTION

Cost optimisation – Sidel Rollquattro

O&U reference: AA06

### BENEFITS

- Labelling continues without stopping the machine
- No need for an operator to be present for the reel changing process
- Guaranteed joining quality
- Joining preparation with machine in operation

The information in this document contains general descriptions of technical options available, which do not always have to be present in each individual case. The required features should therefore be specified in each individual case at the time of closing the contract. No part of this publication may be reproduced, stored in a retrieval system, or transmitted, in any form or by any means, without the previous written approval of Sidel. All intellectual property rights, including copyright, are reserved by Sidel. 170731